

# Intimidator<sup>®</sup> Man Lock Application Form for Cast Iron/Steel Covers and Grates

DATE:

MUNICIPALITY/COMPANY:

NAME:

PHONE:

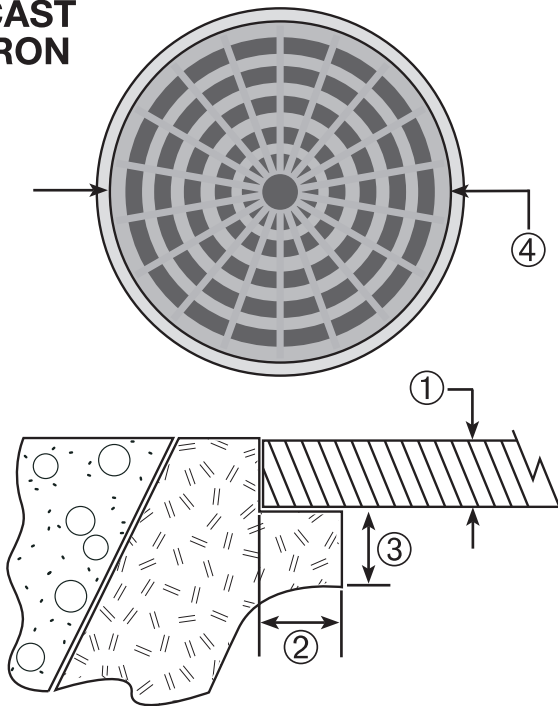
MANUFACTURER OF MANHOLE:

TYPE OF MANHOLE (telephone, sewer, etc.):

LOCATION OF MANHOLE (road, sidewalk, etc.):

QUANTITIES OF EACH STYLE:

## STANDARD CAST IRON



### TYPE A

Dimensions:

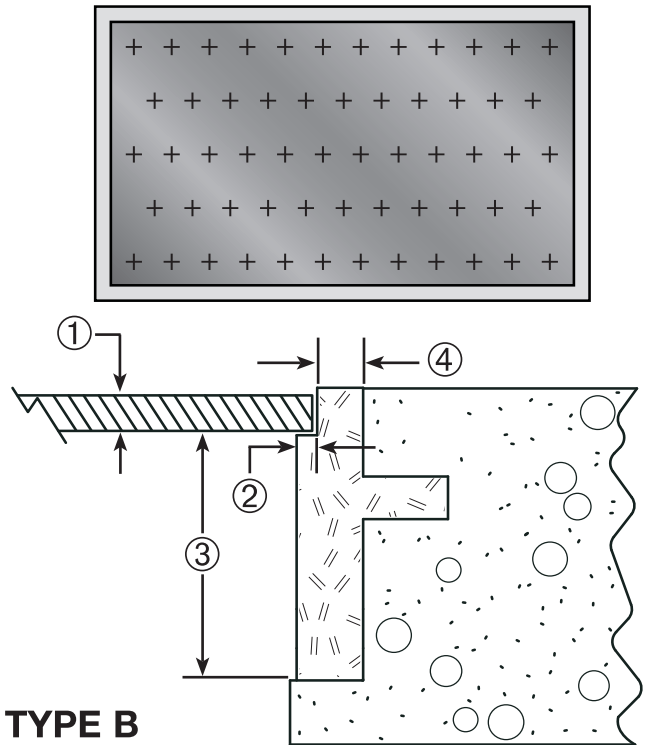
Cover Thickness: ① \_\_\_\_\_

Ledge Width: ② \_\_\_\_\_

Frame Depth: ③ \_\_\_\_\_

Cover Diameter: ④ \_\_\_\_\_

## STEEL ACCESS PANEL COVER/GRATE OR VAULT



### TYPE B

Dimensions:

Cover Thickness: ① \_\_\_\_\_

Ledge Width: ② \_\_\_\_\_

Frame Depth: ③ \_\_\_\_\_

Exposed Frame Surface Width: ④ \_\_\_\_\_



INNOVATIVE SECURITY SOLUTIONS  
3875 California Road • Orchard Park, NY 14127  
1-888-888-9192 • fax: 716-662-8985

McGard Products Are Designed & Manufactured in the U.S.A.

096207 Rev. 4/09